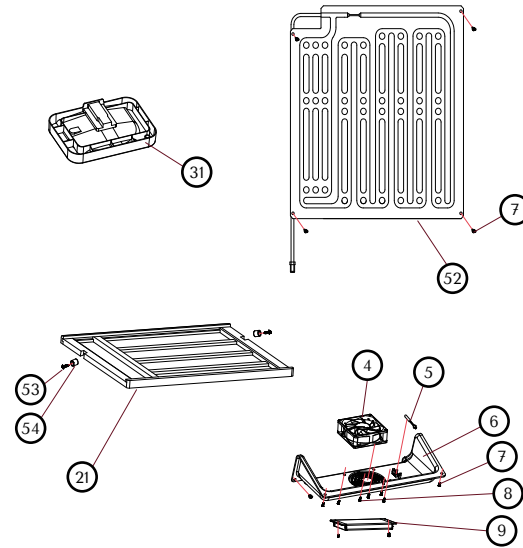
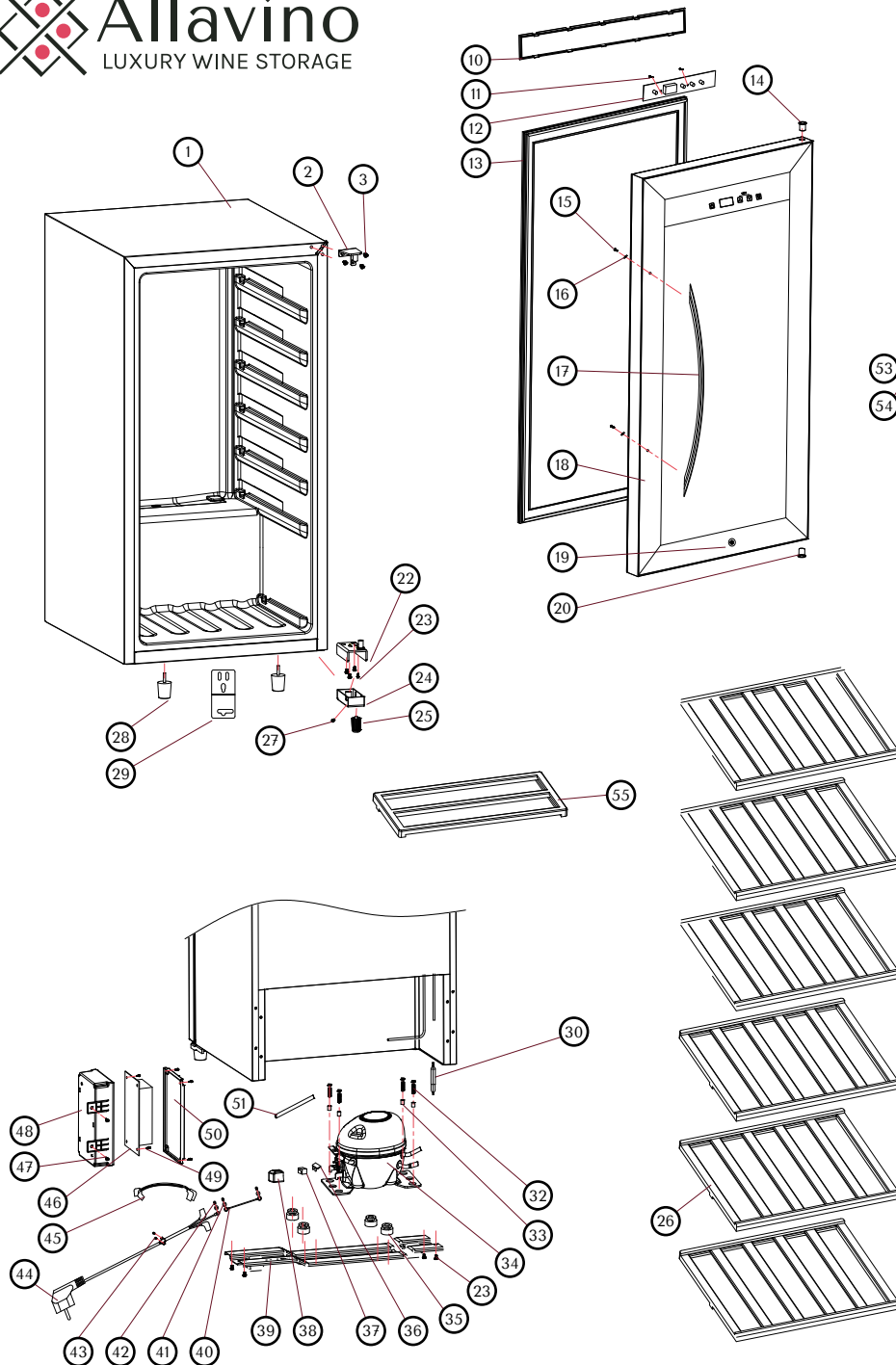


Spare Part List

Revised 11/15/2023



| # | PART NUMBER | Part Name | Qty |
|----|------------------|-----------------------------|-----|
| 1 | KWR33S-1SR | Appliance Cabinet | 1 |
| 2 | TY02-160 | Right Upper Hinge | 1 |
| 3 | DQ01-002 | 8025S Fan | 3 |
| 4 | M5X12 | Screw M5x12 | 1 |
| 5 | DQ09-011 | NTC Probe | 1 |
| 6 | TY01-102 | Fan Base | 1 |
| 7 | GB/T845-1985 | Screw ST4x12 | 15 |
| 8 | GB/T845-1985 | Screw ST5x12 | 8 |
| 9 | KWD-102.01.05-00 | LED Light Component | 1 |
| 10 | KWS-34.02C-11 | Display Cover | 1 |
| 11 | GB845 | Screw ST3x8 | 5 |
| 12 | DQ05Y-010-HM | Control PCB | 1 |
| 13 | KWS-34.02C-01 | Door Seal | 2 |
| 14 | TY01-133 | Hinge Sleeve | 1 |
| 15 | GB/T818-2000 | Screw M4X35 | 1 |
| 16 | TY02-099 | Handle Washer | 2 |
| 17 | TY02-156 | Handle | 2 |
| 18 | KWS3402CB00SYLGC | Door | 1 |
| 19 | Y01-154A | Lock and Key | 1 |
| 20 | TY01-101 | Hinge Sleeve | 2 |
| 21 | KWS-17.10-02A | 4P Wooden Shelf | 1 |
| 22 | TY02-100 | Lower Hinge | 8 |
| 23 | GB/T5783-2000 | Screw M5x12 | 1 |
| 24 | TY01-090 | Door Support Cover | 1 |
| 25 | TY01-091 | Support Feet IV | 1 |
| 26 | KWS-52.10-02 | 5P Wooden Shelf | 1 |
| 27 | GB/T845-1985 | Screw ST4x12 | 1 |
| 28 | TY01-083 | Adjustable Feet III | 1 |
| 29 | TY02-106F | Lock Base | 4 |
| 30 | TY02-139 | Dry Filter | 4 |
| 31 | TY01-109 | Water Reserve Pan | 1 |
| 32 | TY03-003 | Hexagon Head Bolts | 4 |
| 33 | TY03-001 | Steel Collar | 1 |
| 34 | EY40U6L | Compressor | 1 |
| 35 | TY03-002 | Compressor Standoff | 1 |
| 36 | BT55-120 | Temperature Shutoff Sensor | 1 |
| 37 | QP2-4.7G | PTC Thermistor | 12 |
| 38 | TY03-004 | Compressor Electrical Cover | 1 |
| 39 | KWS-52.21-00 | Compressor Base | 2 |
| 40 | DQ03-057 | Ground Wire | 2 |
| 41 | GB/T862.1-1987 | Washer | 2 |
| 42 | GB/T818-2000 | Pan Head Screw | 1 |
| 43 | GB/T845-1985 | M4 Round Head Screw | 1 |
| 44 | DQ03-074 | Plug | 1 |
| 45 | DQ03-086 | Connection Wire | 6 |
| 46 | DQ11Y-005-HM | Power PCB | 1 |
| 47 | GB/T5783-2000 | Screw ST4x12 | 1 |
| 48 | TY01-107 | PCB Box | 1 |
| 49 | GB/T845-1985 | Screw ST4x8 | 1 |
| 50 | TY01-108 | PCB Box Cover | 1 |
| 51 | KWS-166M.20-01 | Sealing Pipe | 2 |
| 52 | KWS-52.17-00 | Evaporator | 1 |
| 53 | TY01-087 | Shelf Stopper | 1 |
| 54 | GB845 | Phillips Head Screw | 1 |
| 55 | KWS-17.10-02 | 2P Wooden Shelf | 6 |