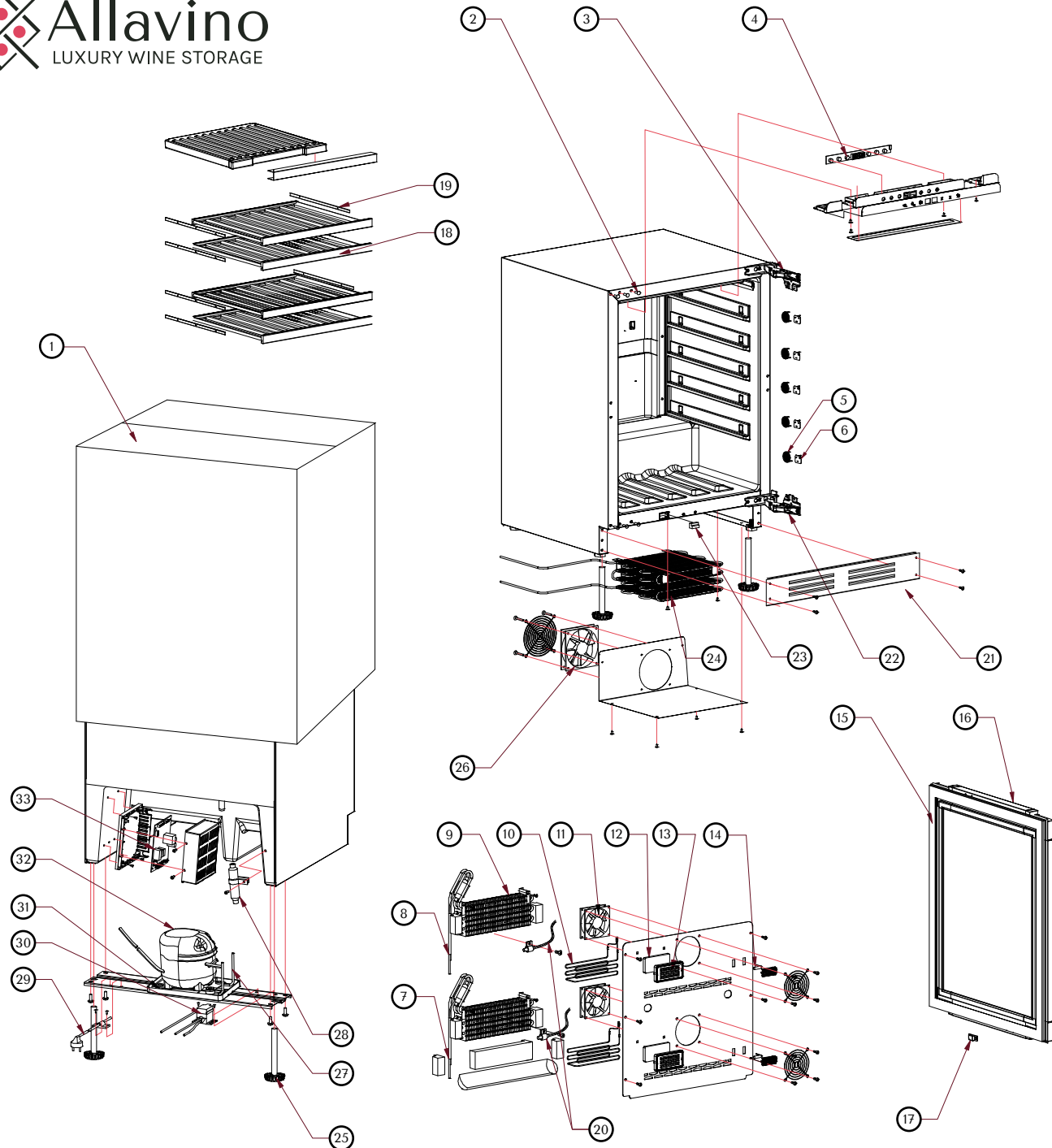


Spare Part List

Revised 11/15/2023



| # | PART NUMBER | Part Name | Qty |
|----|---------------|------------------------------|-----|
| 1 | DZ12-4342 | VCWR-24PRD-2R Carton Box | 1 |
| 2 | DZ02-0137 | M5 Trunk-Nail | 12 |
| 3 | DZ01-1310 | K08-A Hettich Door Hinge | 1 |
| 4 | DZ07-0003-330 | White Display Board | 1 |
| 5 | DZ02-0294 | Round LED Light Cover | 10 |
| 6 | DZ08-0022-1 | 3 Colors LED Side Light | 10 |
| 7 | DZ19-0026 | 40 Suction Tube (Upper Zone) | 1 |
| 8 | DZ19-0123 | Suction Tube (Lower Zone) | 1 |
| 9 | DZ19-0019-110 | 40 Evaporator | 2 |
| 10 | DZ03-0009 | 115V Heating Strip | 2 |
| 11 | DZ03-0119 | SAD9225B12L-90 Fan motor | 2 |
| 12 | DZ10-0013 | Charcoal Filter | 2 |
| 13 | DZ02-0204-110 | Charcoal Filter Box | 2 |
| 14 | ZJ09-0025-5-2 | Temperature Sensor | 2 |
| 15 | DZ23-0184-2 | MZ203 Door Gasket | 1 |
| 16 | ZJ01-0433 | Panel Ready Glass Door | 1 |
| 17 | ZJ09-0004-4-3 | Magnet | 1 |
| 18 | DZ18-0084-1 | Sliding Beech Wood Shelf | 4 |
| 19 | DZ01-0207 | Sliding Roller | 8 |
| 20 | ZJ09-0025-3 | Evaporator Sensor | 2 |
| 21 | DZ01-1614-110 | 60 Black Kickplate | 1 |
| 22 | DZ01-1310-1 | K08-B Hettich Door Hinge | 1 |
| 23 | ZJ09-0004-4-2 | Magnetic Switch | 1 |
| 24 | DZ19-0013 | Condenser | 1 |
| 25 | DZ01-1611 | M10 Cabinet Leg | 4 |
| 26 | DZ03-0118 | SAD12025B12L-1225 Fan Motor | 1 |
| 27 | DZ19-0074 | Connecting Pipe | 1 |
| 28 | DZ19-0012 | Dryer Filter | 1 |
| 29 | DZ04-0005 | Electrical Power Cord | 1 |
| 30 | DZ19-0036 | Solenoid Valve | 1 |
| 31 | DZ02-0393-1 | Water Container | 1 |
| 32 | WG03-0054 | Embraco FMXA6C Compressor | 1 |
| 33 | DZ06-0100-1-1 | PCB Board | 1 |